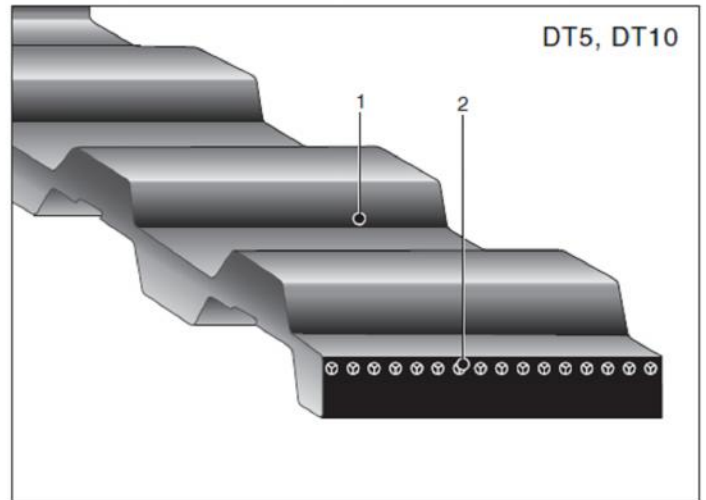
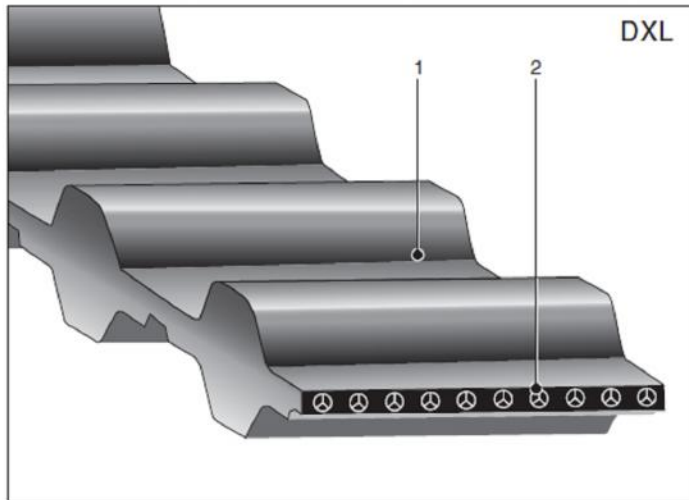




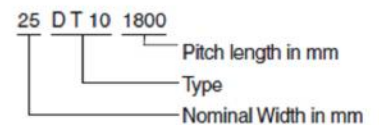
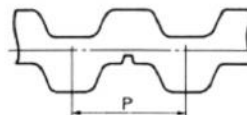
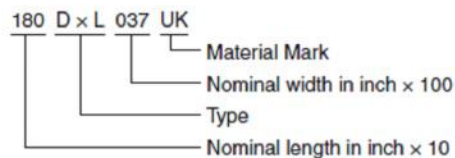
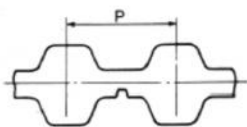
## CORREAS SINCRONICAS DXL - DT5 - DT10



### Construction

1: Polyurethane Teeth    2: Steel wire tensile member

### Dimensions and Size mark



### Standard Sizes

Type	P(mm)	Nominal Width	Nominal Length
DXL	5.080	025, 031, 037, 050, 075	140, 146, 150, 166, 170, 180, 190, 200, 210, 220, 230, 240, 270, 290, 300, 320, 376, 400, 430, 490

Type	P(mm)	Nominal Width	Nominal Length
DT5	5.00	5, 10, 15, 20, 25	300, 410, 460, 480, 515, 550, 590, 620, 650, 700, 750, 800, 815, 860, 900, 940, 1075, 1100
DT10	10.00	15, 20, 25, 30, 50	260, 530, 630, 660, 700, 720, 800, 840, 900, 980, 1100, 1210, 1240, 1250, 1320, 1350, 1420, 1500, 1610, 1800, 1880

MARIANO MORENO 3830(B1872DEC) SARANDÍ BUENOS AIRES ARGENTINA

TEL : 4227-7712 / 4353-3358 / 4206-8460 CEL: 15-5773-7207

EMAIL: VENTAS@NEWRANK.COM.AR WEB: WWW.NEWRANK.COM.AR / WW.ELESA-GANTER.ES